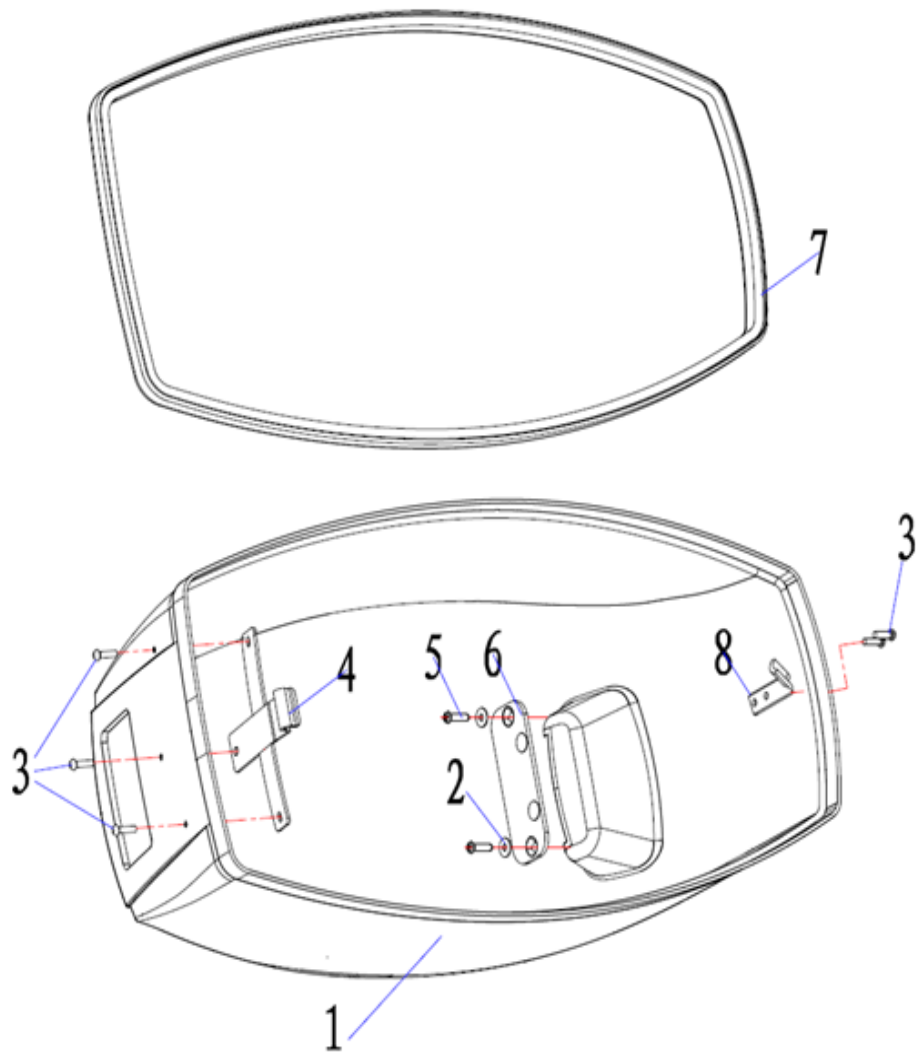


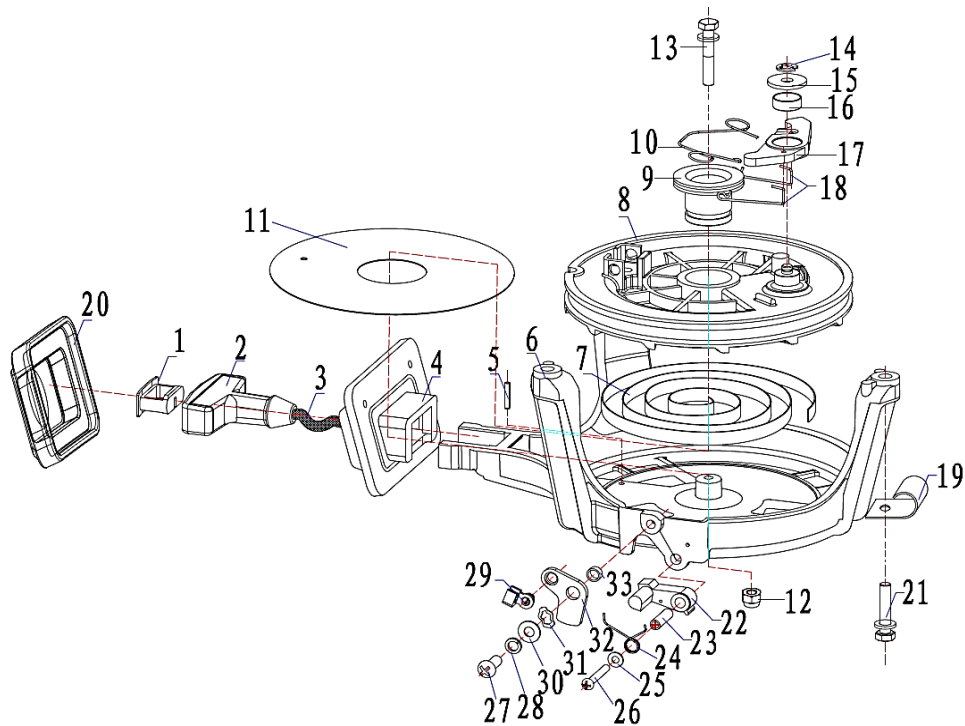


Мотор лодочный Marine Rocket MR9.9PRO



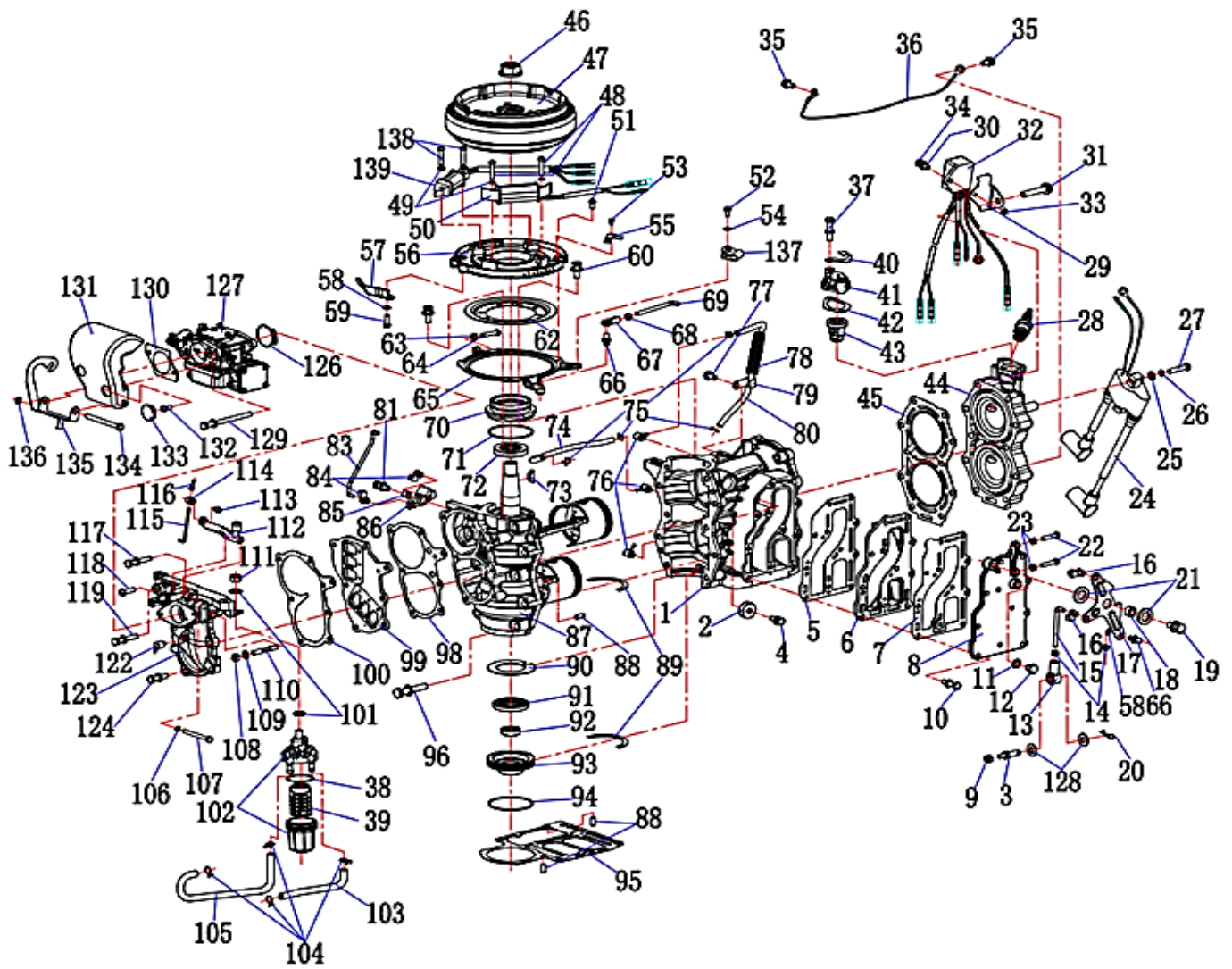
1. Капот

NO.	КОД MR	КОД №2	КОД OEM	НАИМЕНОВАНИЕ	ШТ	УПАКОВКА
1	MR01072129		20F-07.00.00.01	Top cowling	1	1
2	MR0104162BAG			Flat gasket 4	7	10
3	MR0104231BAG				5	10
4	MR01082116		20F-07.00.00.04	Front locking hook	1	1
5	MR0104275BAG		GB/T845	screw	2	10
6	MR01072133		20F-07.00.00.05	Air inlet Cap	1	1
7	MR01062120		20F-07.00.00.03	Rubber sealing strip	1	1
8	MR010801480		15F-II-07.08	locking hook	1	1
	MR030228	MR08010011	20F-07.00.00.00	Top Cowling	1	1



2. Ручной стартер

NO.	КОД MR	КОД №2	КОД OEM	НАИМЕНОВАНИЕ	ШТ	УПАКОВКА	TONATSU
1	MR01071106BAG		40F-01.01.16	Starter Handle cover	1	2	338-05013-0
2	MR01071107		40F-01.01.18	Starter handle	1	1	338-05019-0
3	MR01102105BAG		20F-01.01.00.08	Starting rope φ5M*1650MM	1	2	350-05013-1
4	MR01062106		20F-01.01.02.00	Rubber bracket	1	1	350-05116-0
5	MR0104371BAG		GB/T879.1	Elastic cylindrical pin 3*16	1	10	
6	MR01012110		20F-01.01.00.09	Starter Cover	1	1	350-05105-0
7	MR01092104		20F-01.01.00.07	Volute spring	1	1	345-05004-0
8	MR01072110		20F-01.01.01.00	Start wheel Assy	1	1	350-05104-1
9	MR01022106		20F-01.01.00.06	Start wheel bushing	1	1	350-05132-0
10	MR01092106BAG		20F-01.01.00.04	Return spring	1	2	350-05124-0
11	MR01072134		20F-01.01.00.10	Friction ring	1	1	
12	MR0104146BAG			hexagon nylon lock nut	1	10	
13	MR0104409BAG			Hexagonal bolt & flat gasket assy M6*35	1	10	
14	MR0104178BAG		GB/T896	Circlip	1	10	
15	MR0104175BAG		GB/T5287	Flat gasket 6	1	10	
16	MR01022107		20F-01.01.00.03	Cushion tube	1	1	345-05135-1
17	MR01072111		20F-01.01.00.02	Drive arm	1	1	345-05003-1
18	MR01092105BAG		20F-01.01.00.05	Return spring hook	2	10	350-05123-0
19	MR01080210BAG		F15-01.03.00.42	fix clip,air breather tube	1	5	
20	MR01062105		20F-01.01.00.01	Damper	1	1	
21	MR0104408BAG		GB/T9074.1 (8.8)	Bolt	3	10	
22	MR01070604		9.8F-01.01.16	Brake	1	1	338-05252-0
23	MR01020604		9.8F-01.01.17	Copper bushing	1	1	338-05255-0
24	MR01090604BAG		9.8F-01.01.18	Torsional spring,brake	1	5	338-05216-0
25	MR0104162BAG		GB/T96	Flat gasket 4	1	10	
26	MR0104102BAG			Cross recessed pan head tapping screws(M4*30)	1	10	
27	MR01040831BAG		GB/T818□	Pan head bolt with cross recess	1	10	
28	MR0104154BAG		GB/T93□	Spring Washer	1	10	
29	MR01070603BAG		9.8F-01.01.13	Linkage connector	1	2	
30	MR0104171BAG			Flat gasket	1	10	
31	MR01080604BAG		9.8F-01.01.15	Wave gasket	1	2	941403-0800
32	MR01070602BAG		9.8F-01.01.12	Brake guide	1	2	350-05253-0
33	MR01020602BAG		9.8F-01.01.14	Cushion tube	1	2	
	MR030118	MR08020006	20F-01.01.00.00	Recoil Starter Assy.	1	1	

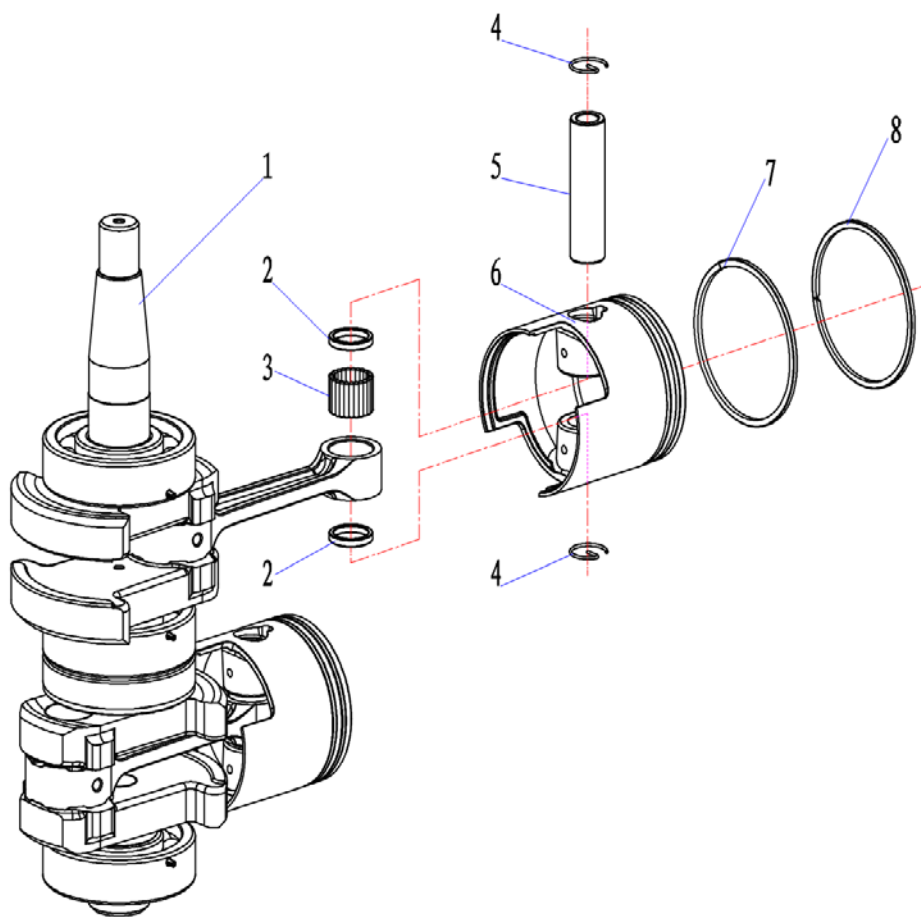


3. Блок двигателя

NO.	КОД MR	КОД №2	КОД OEM	НАИМЕНОВАНИЕ	ШТ	УПАКОВКА	TOHATSU
1	MR01012101	MR090801012101	20F-01.06.02.00	Crankcase comp.	1	1	362B01100-3
2	MR01010911		3.5F-06.01.09	Anode	1	1	338-60218-2
3	MR01022113		20F-04.00.01.06	Throttle linkage pin	1	1	
4	MR0104404BAG			Bolt	1	10	
5	MR01052113BAG		20F-01.06.00.14	Exhaust inner cover gasket	1	2	350-02306-0
6	MR01012105	MR090801012105	20F-01.06.00.13	Exhaust inner cover	1	1	350B02302-0
7	MR01052114BAG		20F-01.06.00.12	Exhaust outer cover gasket	1	2	350-02305-0
8	MR01012104	MR090801012104	20F-01.06.00.11	Exhaust outer cover	1	1	350B02301-1
9	MR0104138BAG		GB/T6170	Hex Nut M6	1	10	
10	MR0104407BAG		GB/T9074.1(8.8)	Hexagonal bolt & flat gasket assy M6*25	11	10	
11	MR01080401BAG		F2.5-01.01.00.04	Copper washer	1	2	
12	MR01040311BAG			Hexagonal bolt M8*10	1	10	
13	MR01072104BAG		20F-01.04.02.01	Timing connecting rod cover	1	2	
14	MR0104137BAG		GB/T6170	Hexagon nut M5	2	10	
15	MR01092102		20F-01.04.01.01	Timing connecting rod(up)	1	1	
16	MR01070610BAG		9.8F-01.04.07	Linkage connector	2	2	
17	MR01082101		20F-01.04.00.04	Timing rock arm	1	1	
18	MR01022103BAG		20F-01.04.00.06	Rock arm bushing	1	2	
19	MR01044132BAG			Hexagon headed bolt and flat plate M6*20	1	10	
20	MR01090115BAG		15F-01.05.14	circlip	1	10	
21	MR01072102BAG		20F-01.04.00.05	Rock arm friction gasket	2	2	
22	MR0104081BAG			Cross recessed Pan head screws M5*25	2	10	
23	MR0104137BAG		GB/T6170	Hexagon nut M5	2	10	
24	MR01032102A		20F-01.03.01.00	Ignition coil comp.	1	1	3G2-06040-2
25	MR0104171BAG			Flat gasket	2	10	
26	MR0104154BAG		GB/T93	Spring Washer	2	10	
27	MR0104085BAG			Cross recessed Pan head screws M5*30	2	10	
28	MR01030309		BPR7HS	Spark Plug	2	1	
29	MR01082105BAG		20F-01.03.00.01	CDI bracket	1	2	3G2-06061-0
30	MR0104171BAG			washer 6	1	10	
31	MR0104062BAG		GB5789	bolt	10	5	

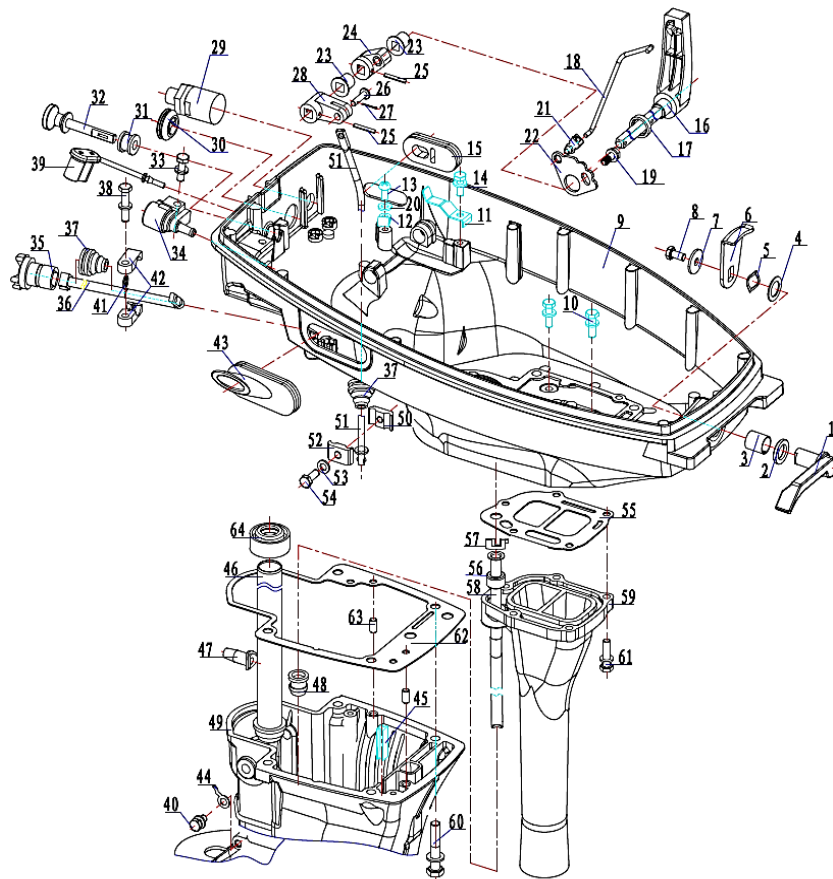
32	MR01032103A		20F-01.03.02.00	CDI (Charging coil, spark plug lead assy.)	1	1	3G2-06060-2
33	MR0104149BAG			Hexagon thin nut M6	1	10	
34	MR01044030BAG		GB/T9074.1(8.8)	Hexagon headed bolt and flat plate M6*14	1	10	
35	MR0104403BAG			Bolt	2	10	
36	MR01032101BAG		20F-01.03.00.02	Electrical conductor	1	2	
37	MR0104408BAG		GB/T9074.1(8.8)	Bolt	2	10	
38	MR01060112BAG		15F-01.07.05.06	O ring,filter	1	2	
39	MR2072701075ABAG		F60-01.07.01.31	fuel filter	1	5	
40	MR01080210BAG		F15-01.03.00.42	fix clip,air breather tube	1	5	
41	MR01012108	MR090801012108	20F-01.06.00.15	Thermostat cover	1	1	3H6B01031-0
42	MR01052112BAG		20F-01.06.00.16	Thermostat cover seal gasket	1	2	346-01032-0
43	MR01050104		15F-01.06.14	thermostat 50℃	1	1	350-01030-1
44	MR090801012103	MR01012103	20F-01.06.00.17	Cylinder cap	1	1	345-01111-0
45	MR01052111		20F-01.06.00.18	Cylinder gasket	1	1	350-01005-0
46	MR01020211		F15-01.06.00.06	Fly wheel nut	1	1	334-00132-0
47	MR01032104A		20F-01.03.03.00	Fly wheel Assy	1	1	3G2-06001-1
48	MR0104081BAG			Cross recessed Pan head screws M5*25	2	10	
49	MR0104153BAG		GB/T93	Spring washer	2	10	
50	MR01032310		20FE-01.03.11.01	Charging coil assy	1	1	
51	MR01040760BAG			Cross recessed pan head tapping screws(M5*10)	4	10	
52	MR01040760BAG			Cross recessed pan head tapping screws(M5*10)	1	10	
53	MR0104072BAG			Cross recessed Pan head screws M4*6	2	10	
54	MR0104170BAG			washer 5	1	10	
55	MR01082106BAG		20F-01.03.00.03	Cable plate	1	2	350-06025-0
56	MR01012113	MR090801012113	20F-01.03.05.00	Magnetic seat Assy	1	1	3G2-06002-1
57	MR01012112		20F-01.03.00.06	Throttle adjustment plate	1	1	
58	MR0104170BAG			Flat gasket	3	10	
59	MR0104237BAG			Hexagon headed bolt M5*14	2	10	
60	MR0104406BAG			Flat gasket&Bolt	2	10	
62	MR01082104		20F-01.03.00.05	Magnetic seat friction plate	1	1	346-63722-2
63	MR0104137BAG		GB/T6170	Hexagon nut M5	1	10	
64	MR0104081BAG			Cross recessed Pan head screws M5*25	1	10	
65	MR01012111		20F-01.03.00.04	Timing adjustment plate	1	1	350-63723-0
66	MR010213001BAG		30F-01.02.00.02	Ball head bolt	2	2	
67	MR010713013BAG		30F-01.05.00.03	Timing adjustment connecting bolt	1	2	
68	MR0104137BAG		GB/T6170	Hexagon nut M5	1	10	
69	MR01092102		20F-01.04.01.01	Timing connecting rod(up)	1	1	
70	MR01012106	MR090801012106	20F-01.06.00.05	Oil sealing casing(up)	1	1	350-01401-0
71	MR01062101BAG		20F-01.06.00.06	O ring,Oil seal casing	1	2	
72	MR01052117		20F-01.06.00.07	Crankshaft oil seal 25*45*8	1	1	350-00121-0
73	MR011011071		40F-01.03.03	Woodruff key	1	1	
74	MR01062102BAG		20F-01.06.00.03	Oil return pipe 3*7*185	1	2	
75	MR01090137BAG			Tube clip	4	10	
76	MR01020108		15F-01.06.03	Joint,air breather tube	3	1	
77	MR0104403BAG			Bolt	1	10	
78	MR01100304BAG		F4-01.07.12	Bellows φ 12*115	1	2	
79	MR01080210BAG		F15-01.03.00.42	fix clip,air breather tube	1	5	
80	MR010621020BAG		20F-01.06.00.02	Balance pipe 3*7*270	1	2	
81	MR0104406BAG		GB/T9074.1(8.8)	Flat gasket&Bolt	1	10	
83	MR01092101BAG		20F-01.04.00.03	Brake connecting rod	1	2	
84	MR01070603BAG		9.8F-01.01.13	Linkage connector	2	2	
85	MR01022102BAG		20F-01.04.00.02	Limited block cushion tube	1	2	
86	MR01072101BAG		20F-01.04.00.01	Reversing limit block	1	2	
87	MR01012102		20F-01.06.00.19	Crankcase cover	1	1	
88	MR01020110BAG		15F-01.06.20	Locating Pin 2*6	4	10	
89	MR01082102BAG		20F-01.06.00.21	Limit ring	2	2	350-00115-0
90	MR01082103		20F-01.06.00.20	Limit plate	1	1	350-00107-0
91	MR01052106		20F-01.06.00.31	Crankshaft under oil seal 25*47*6	1	1	350-01215-5
92	MR01052105		20F-01.06.00.32	Drive shaft upper oil seal	1	1	
93	MR01012109	MR090801012109	20F-01.06.00.29	Oil seal casing(under)	1	1	
94	MR01060537BAG		F9.9-06.02.00.06	O ring,Oil seal casing	1	2	
95	MR01052104		20F-01.06.00.01	Engine seal gasket	1	1	350-01303-1
96	MR0104416			Hexagon headed bolt and flat plate M8*45	10	1	
98	MR01052115BAG		20F-01.06.00.10	Inlet valve seat gaskets	1	2	350-02105-1
99	MR01052102		20F-01.06.01.00	Inlet valve seat Assy	1	1	362-02100-1
100	MR01052116BAG		20F-01.06.00.09	Inlet valve cap seal	1	2	350-02104-0
101	MR010417109BAG			Flat gasket	2	10	
102	MR01070165		15F-01.07.05.05	Inner cover,exhaust	1	1	346-02230-0
103	MR01062104BAG		20F-01.07.00.01	Filter inlet pipe	1	2	
104	MR01090138BAG			Tube Clip	4	10	

105	MR01062103BAG		20F-01.07.00.02	Filter outlet pipe	1	5	
106	MR0104153BAG		GB/T93	Spring washer	1	10	
107	MR010431502BAG		GB/T5782	Hexagon headed bolt M5*50	1	2	
108	MR0104138BAG		GB/T6170	Hex Nut M6	1	10	
109	MR0104171BAG			Flat gasket	1	10	
110	MR01043441BAG			Bolt M6*25/14	1	5	
111	MR0104139BAG		GB/T6170	Bolt nut	1	10	
112	MR01072109		20F-01.02.04.00	Throttle linkage rod comp.	1	1	3M2-03172-0
113	MR0104075BAG			Pan head screw with cross recess	1	10	
114	MR01022105		20F-01.02.00.05	Throttle linkage joint	1	1	350-03176-0
115	MR01092103		20F-01.02.00.04	Throttle linkage	1	1	350-03174-0
116	MR01060512BAG		F9.9-01.04.00.05	linkage cover	1	2	
117	MR0104409BAG			Hexagonal bolt & flat gasket assy M6*35	1	10	
118	MR0104105BAG			Cross recessed Pan head screws M6*20	1	10	
119	MR01043442BAG			Double-screw bolt	1	5	
120	MR0104171BAG			Flat gasket	1	10	
121	MR0104138BAG		GB/T6170	Hex Nut M6	1	10	
122	MR01020108		15F-01.06.03	Joint,air breather tube	1	1	
123	MR01012107	MR090801012107	20F-01.06.00.08	Inlet valve cap	1	1	3M2B02010-0
124	MR0104407BAG			Hexagonal bolt & flat gasket assy M6*25	4	10	
126	MR01062126BAG		20F-01.02.00.03	Carburetor seal ring	1	2	3C8-02011-0
127	MR01052101		20F-01.02.03.00	Carburetor Assy.	1	1	3G2-03100-3
128	MR01072121BAG		20F-03.00.00.29	Friction gasket	2	2	
129	MR01044121BAG			Hexagon headed bolt and flat plate	2	10	
130	MR01052120BAG		20F-01.02.00.01	Air filter gasket	1	2	3G2-02414-0
131	MR01072107		20F-01.02.01.00	Air filter assy	1	1	3G2-02411-0
132	MR0104077BAG			Screw M5*12	2	10	
133	MR01060303BAG		F4-01.02.06.06	Rubber plug	2	2	
134	MR01022104		20F-01.02.00.02	Choke rock arm pin	1	1	350-67154-0
135	MR01082107		20F-01.02.02.00	choke rock arm assy	1	1	3G2-67152-0
136	MR0104178BAG		GB/T896	Circlip	1	10	
137	MR010703480BAG		F4-11.12.31	Clip (plastic)	1	10	
138	MR0104216BAG			Screw M5*30	2	10	
139	MR01032310B		20FE-01.03.11.02	lighting coil	1	1	



4. Коленвал

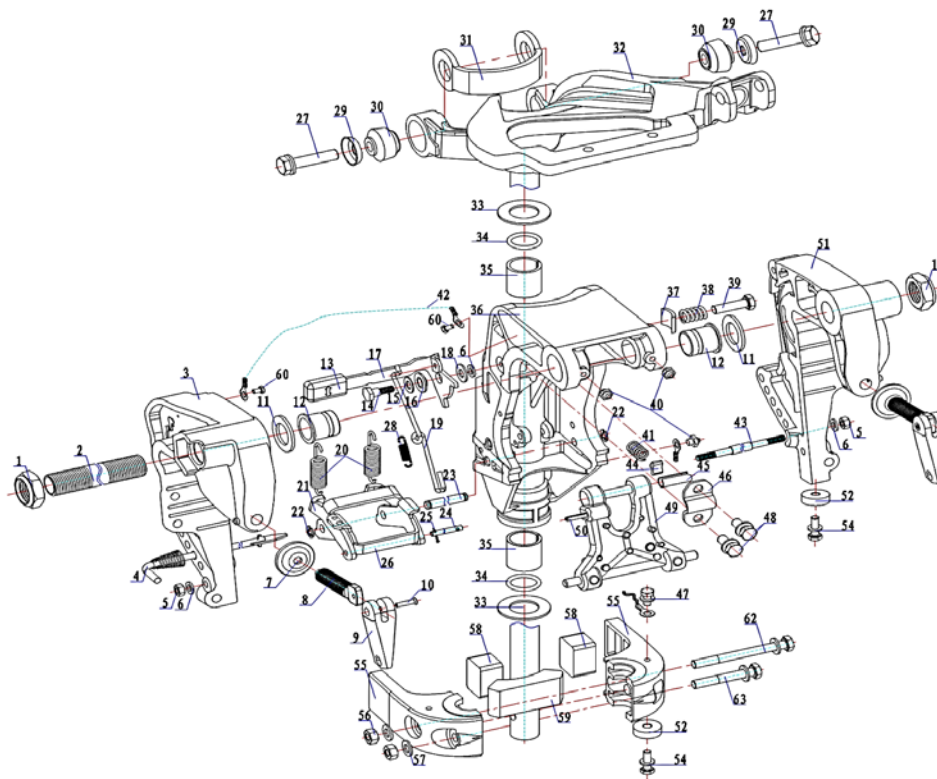
NO.	КОД MR	КОД №2	КОД OEM	НАИМЕНОВАНИЕ	ШТ	УПАКОВКА	TOHATSU
1	MR01052103		20F-01.06.03.00	Crankshaft connecting rod	1	1	
2	MR01022101BAG		20F-01.06.00.27	Needle roller baffle	4	5	
3	MR01050124BAG		15F-01.06.33.16	Roller pin	50	25	
4	MR01050626BAG		9.8F-01.06.25	Piston circlip	4	10	
5	MR01052109BAG		20F-01.06.00.23	Piston pin	2	2	
6	MR01052110B		20F-01.06.00.22	Piston	2	1	
7	MR01052107		20F-01.06.00.25	2nd ring	2		
8	MR01052108		20F-01.06.00.24	1st ring	2		



5. Поддон двигателя

NO.	КОД MR	КОД №2	КОД OEM	НАИМЕНОВАНИЕ	ШТ	УПАКОВКА	TONATSU
1	MR090801012116	MR07210003	20F-02.00.01.01	Front lock handle	1	1	338S67141-0
2	MR01060612BAG		9.8F-02.11.02	Rubber ring	1	2	338-67147-0
3	MR01072113BAG		20F-02.00.01.02	bushing	1	2	350-67105-0
4	MR01070617BAG		9.8F-02.11.04	Gasket	1	2	3C8-67146-0
5	MR01080617BAG		9.8F-02.11.05	Wave gasket	1	2	941403-1400
6	MR01082108		20F-02.00.01.03	Lock plate	1	1	345-67142-1
7	MR0104175BAG		GB/T5287	Flat gasket 6	1	10	
8	MR0104008BAG			Hex Head Bolt M6*12	1	10	
9	MR090801012114	MR07210002	20F-02.00.00.01	Bottom cowling	1	1	
10	MR0104406BAG			Flat gasket&Bolt	2	10	
11	MR01082110BAG		20F-01.05.00.04	Limit plate spring	1	2	
12	MR010703480BAG		F4-11.12.31	Clip (plastic)	1	10	
13	MR0104083BAG			Screw M6*12	1	10	
14	MR0104404BAG			Bolt	1	10	
15	MR01060609BAG		9.8F-02.05	plug A	1	2	353-67162-0
16	MR01072116		20F-01.05.01.00	Shift level assy.	1	1	350-66110-0
17	MR01060626BAG		9.8F-01.05.09	Rubber seal ring	1	2	3K9-66137-0
18	MR01092107		20F-01.05.00.02	Limit connecting rod	1	1	
19	MR0104404BAG			Bolt	1	10	
20	MR0104171BAG			Flat gasket	1	10	
21	MR01070603BAG		9.8F-01.01.13	Linkage connector	1	2	910114-5616
22	MR01082109BAG		20F-01.05.00.01	Limiting plate	1	2	350-66121-0
23	MR01070613BAG		9.8F-01.05.06	Bushing	2	2	350-67101-0
24	MR01072114BAG		20F-01.05.00.03	Limiting plate block	1	2	350-66115-0
25	MR0104221BAG		GB/T879.1	Elastic cylindrical pin 3*10	2	10	
26	MR01022108BAG		20F-01.05.00.06	Rod pin	1	2	
27	MR0104186BAG		GB/T91	Cotter pin	1	10	
28	MR01072115		20F-01.05.00.05	Shift lever block	1	1	350-66225-0
29	MR01102101		20F-01.03.06.00	Emergency stop switch components	1	1	398-06830-0
30	MR01060321BAG		F4-02.13	Rubber plug	1	2	
31	MR01062111BAG		20F-02.00.00.12	choke lever bushing	1	2	
32	MR01072106		20F-01.02.00.06	choke lever assy	1	1	
33	MR0104407BAG			Hexagonal bolt & flat gasket assy M6*25	1	10	
34	MR01100106		15F-01.07.01.00	Fuel hose joint assy	1	1	
35	MR01072126		20F-04.00.01.04	Throttle-linkage gear	1	1	
36	MR01072125		20F-04.00.01.00	Throttle-linkage Assy	1	1	

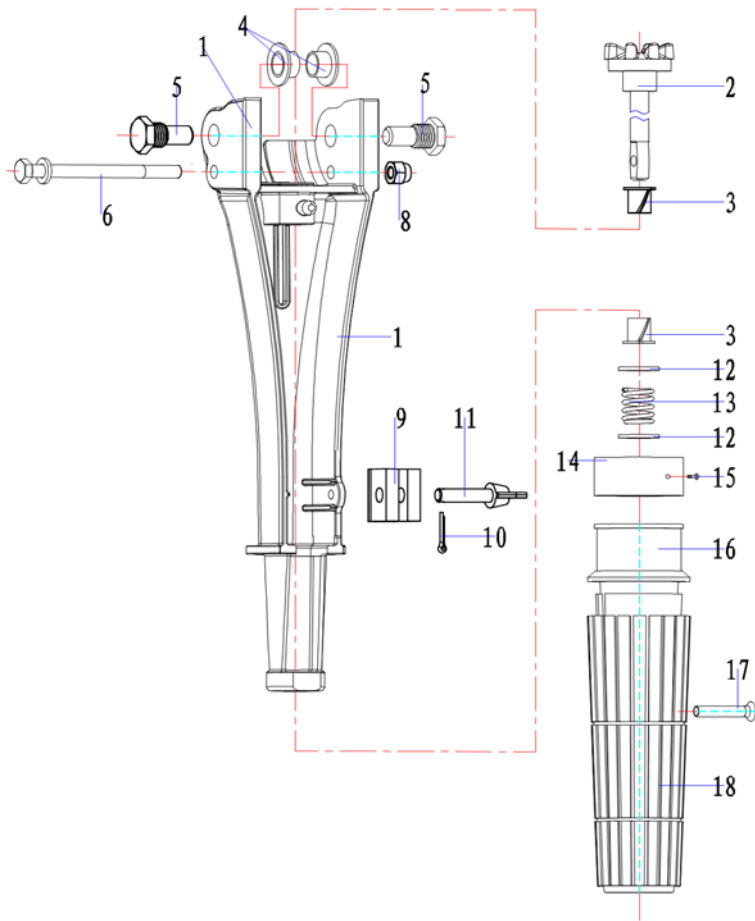
37	MR01060611BAG		9.8F-02.09	Sleeve	2	5	345-66226-0
38	MR0104407BAG			Hexagonal bolt & flat gasket assy M6*25	1	10	
39	MR01060703		F6-01.04.00.12	Fuel hose joint cover	1	1	
40	MR0104402BAG			Hexagonal bolt & flat gasket assy M6*10	1	10	
41	MR0104179BAG		GB/T896	Circlip	1	10	
42	MR01072127BAG		20F-04.00.01.05	Throttle connecting block	2	5	
43	MR01062107		20F-02.00.00.02	Rubber plug	1	1	
44	MR01100114		15F-05.08	Connector parts	1	1	
45	MR01062119BAG		20F-05.00.00.05	Rubber seal strip	1	2	
46	MR01102102		20F-02.00.00.03	Drive shaft cover components	1	1	
47	MR01062108BAG		20F-02.00.00.04	Rubber outlet pipe	1	2	
48	MR01062118BAG		20F-05.00.00.04	pipe bushing	1	5	
49	MR090801012125	MR07210010	20F-05.00.00.03-S	Upper casing (S)	1	1	
	MR0908010121250	MR07210011	20F-05.00.00.03-L	Upper casing(L)	1	1	
50	MR01052122		20F-05.00.00.07	Gear shift locking block B	1	1	
51	MR01092113		20F-05.00.00.01	Gear shift connecting rod	1	1	350-66214-0
52	MR01052121		20F-05.00.00.06	Gear shift locking block A	1	1	
53	MR0104171BAG			Flat gasket	1	10	
54	MR01040090BAG		GB/T5783 (A2-70)	Hexagon headed bolt M6*16	1	10	
55	MR01052118BAG		20F-02.00.00.07	Exhaust pipe seal gasket	1	2	362-02312-0
56	MR01062110BAG		20F-02.00.00.09	Water pipe ring	1	2	
57	MR01072112BAG		20F-02.00.00.10	Water pipe bushing	1	2	
58	MR01102103		20F-02.00.00.06-S	Water pipe (s)	1	1	
	MR011021030		20F-02.00.00.07-L	Water pipe(L)	1	1	
59	MR01012115		20F-02.00.00.08	Exhaust pipe	1	1	362-02311-0
60	MR01044136BAG			Hexagon headed bolt and flat plate M8*45	4	2	
61	MR0104407BAG			Hexagonal bolt & flat gasket assy M6*25	5	10	
62	MR01052119BAG		20F-02.00.00.11	Bottom cowling gasket(down)	1	2	350-61012-1
63	MR01020110BAG		15F-01.06.20	Locating Pin 2*6	2	10	345-01111-0
64	MR01062109BAG		20F-02.00.00.05	Rubber gasket	1	2	



6. Кронштейн струбцин

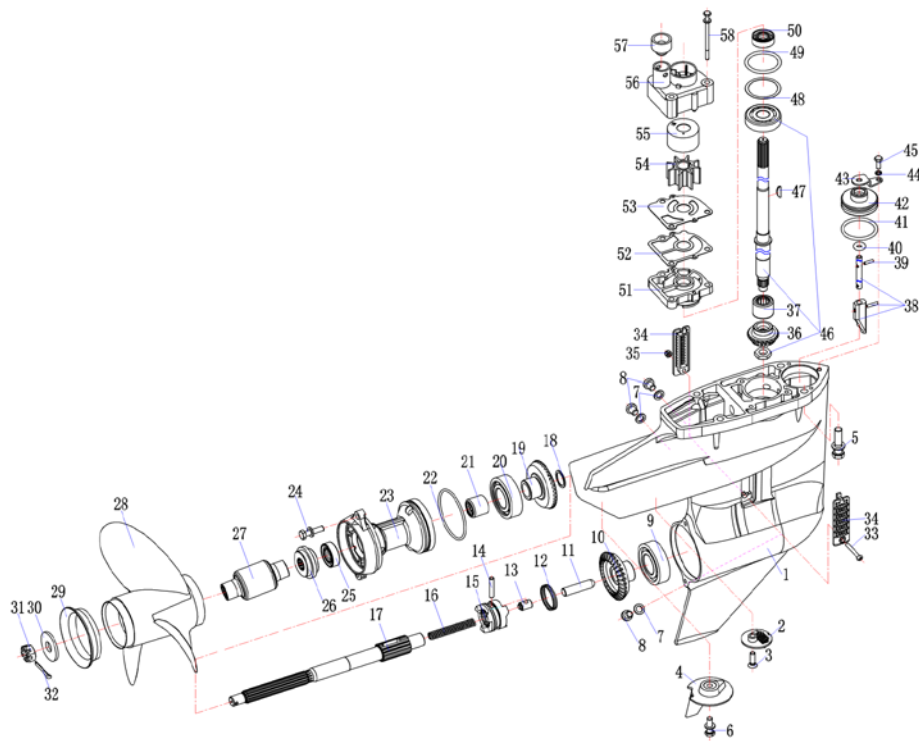
NO.	КОД MR	КОД №2	КОД OEM	НАИМЕНОВАНИЕ	ШТ	УПАКОВКА	TOHATSU
1	MR01020115		15F-03.01	Clamp nut	2	1	346-62127-0
2	MR2020603004		20F-03.04	Bolt	1	1	346-62191-0
3	MR090801012119	MR01012119	20F-03.00.00.14	clamp bracket(L)	1	1	3G2S62113-0
4	MR010906220		9.8F-03.05.11.00	Trim rod Assy	1	1	350-62121-1
5	MR0104138BAG		GB/T6170	Hex Nut M6	2	10	
6	MR0104171BAG			Flat gasket	3	10	
7	MR01080118BAG		15F-03.05.02.03	Clamp plate	2	2	332-62101-0
8	MR01020609		9.8F-03.05.14.03	Transom Clamp Bolt	2	1	398-62103-0
9	MR091001011122	MR01011122	40F-03.05.03.02	intensify handle	2	1	
10	MR0104222BAG		GB/T1015	Bolt	2	10	
11	MR01070139BAG		15F-03.02	Nylon gasket	2	2	
12	MR01070141BAG		15F-03.09.02	Damping ring,bracket	2	2	349-62126-0
13	MR01060123BAG		15F-03.09.12.01	rubber Sleeve	1	2	346-66333-0
14	MR01022111		20F-03.00.00.28	Handle locking screw	1	1	3V9-05254-0
15	MR010417109BAG			Flat gasket	1	10	
16	MR01072122BAG		20F-03.00.00.30	Friction bushing	1	2	941403-0800
17	MR01082115		20F-03.00.00.27	Tilt handle	1	1	3G2-66311-0
18	MR01072121BAG		20F-03.00.00.29	Friction gasket	1	2	
19	MR01092111		20F-03.00.00.24	Position lock lever	1	1	3G2-66312-0
20	MR01092110BAG		20F-03.00.00.23	Position tension spring	2	5	3G2-66331-0
21	MR01082113		20F-03.00.00.20	Tilt adjustment outer bracket	1	1	3G2-66313-1
22	MR0104179BAG		GB/T896	Circlip	2	10	
23	MR01022110BAG		20F-03.00.00.26	Angle positioning axes	1	2	
24	MR01092112		20F-03.00.00.25	Angle bracket fixed axis	1	1	3G2-66321-0
25	MR01041850BAG		GB/T91	Cotter pin 1.6*12	1	10	
26	MR01082114		20F-03.00.00.21	Tilt adjustment inner bracket	1	1	
27	MR0104353		GB/T5787	Hexagon head flange bolts M10*1.25*45 (S12)	2	1	
28	MR01092109BAG		20F-03.00.00.22	Tension spring	1	2	350-66315-0
29	MR01082111BAG		20F-03.00.00.10	Bolt cover	2	2	
30	MR01062117		20F-03.00.02.00	Damper Assy(up)	2	1	350-61301-0
31	MR01062115BAG		20F-03.00.00.32	Clamping bracket upper Damper	1	2	
32	MR090801012122	MR07210008	20F-03.00.01.00	Steering bracket components	1	1	
33	MR01072117BAG		20F-03.00.00.05	Swivel bracket friction gasket	2	5	350-62423-0
34	MR01062114BAG		20F-03.00.00.06	Swivel bracket O ring 22*3.5	2	2	350-62415-0
35	MR01072118BAG		20F-03.00.00.07	Swivel bracket bushing	2	5	350-62417-0
36	MR090801012121	MR01012121	20F-03.00.00.31	swivel bracket	1	1	3G2S62310-0
37	MR01080619		9.8F-03.04.01	Friction plate	1	1	345-62441-0
38	MR01090614BAG		9.8F-03.05.09	Spring	1	2	346-62421-1
39	MR0104037BAG			Bolt	1	2	

40	MR01100109BAG		GB/T7940.1	Oil cup	3	2	
41	MR01092108BAG		20F-03.00.00.17	Angle brace spring	1	2	3G2-66351-0
42	MR01100604		9.8F-05.07	Cable connector	1	1	
43	MR01022109		20F-03.00.00.13	Clamp rod	1	1	350-62117-1
44	MR01072120BAG		20F-03.00.00.19	Bushing gasket	1	2	346-62438-0
45	MR01072119BAG		20F-03.00.00.18	Angle support bushing	1	2	350-62437-0
46	MR01082112		20F-03.00.00.16	Angle support plate	1	1	350-62439-1
47	MR0104402BAG			Hexagonal bolt & flat gasket assy M6*10	1	10	
48	MR01044133BAG			Hexagon headed bolt and flat plate M8*16	2	10	
49	MR01012123		20F-03.00.04.00	Angel support Assy	1	1	3G2S62431-0
50	MR010419601		GB/T879.1	Elastic cylindrical pin 5*40	1	1	
51	MR090801012120	MR01012120	20F-03.00.00.15	clamp bracket(R)	1	1	3G2S62112-0
52	MR01010911		3.5F-06.01.09	Anode	2	1	
54	MR0104406BAG			Flat gasket&Bolt	2	10	
55	MR090801012117	MR07210004	20F-03.00.00.03	Damper casing A	2	1	350S61402-1
56	MR0104139BAG		GB/T6170	Bolt nut	2	10	
57	MR010417109BAG			Flat gasket	2	10	
58	MR01062112		20F-03.00.00.01	Damper A	2	1	350-61302-0
59	MR01062113BAG		20F-03.00.00.02	Damper B	1	2	350-61336-0
60	MR0104007BAG			Hex Bolt M6*10	2	10	
62	MR01044139BAG			Hexagon headed bolt and flat plate M8*85	1	5	
63	MR01044137BAG			Hexagon headed bolt and flat plate M8*55	1	10	



7. Румпель

NO.	КОД MR	КОД №2	КОД OEM	НАИМЕНОВАНИЕ	ШТ	УПАКОВКА	TOHATSU
1	MR090801012124	MR07210009	20F-04.00.00.01	Steering	1	1	398S63011-0
2	MR01072128		20F-04.00.02.00	Throttle lever Assy	1	1	398-63041-0
3	MR01070153BAG		15F-04.07.12	Bushing	2	2	350-63046-0
4	MR01072123BAG		20F-04.00.00.03	Friction bushing	2	2	
5	MR01022112		20F-04.00.00.02	Hex handle shaft	2	1	
6	MR0104412BAG			Flat gasket&bolts	1	10	
8	MR0104304BAG		GB/T923	Cap nut M6*0.5 (fine pitch)	1	2	
9	MR01072124BAG		20F-04.00.00.04	Locking block	1	2	
10	MR01041850BAG		GB/T91	Cotter pin 1.6*12	1	10	
11	MR01022118		20F-04.00.00.05	Resistance adjustor	1	1	
12	MR0104160BAG		GB/T848	Flat Pad 10	2	10	
13	MR01090124BAG		15F-04.07.11	Spring	1	2	
14	MR01100366BAG		F4-04.11- II	Indicator,throttle	1	2	
15	MR010408809BAG		GB/T845	Screw	1	10	
16	MR01070154		15F-04.07.13	Handle	1	1	
17	MR0104117BAG		GB/T820	Screw M5*25	1	10	
18	MR01060124		15F-04.07.14	Handle Rubber sleeve	1	1	398-63012-0
	MR030818	MR08100007		Tiller Assy.	1	1	



8. Редуктор

NO.	КОД MR	КОД №2	КОД OEM	НАИМЕНОВАНИЕ	ШТ	УПАКОВКА	TOHATSU
1	MR090801012128	MR07210013	20F-06.00.00.28	Lower casing	1	1	398S60000-0
2	MR01072132BAG		20F-06.00.00.24	Water inlet cap (Lower)	1	2	369-60206-0
3	MR0104118BAG		GB/T820	Cross recessed slot countersunk head screw M6*16	1	10	
4	MR01010626		9.8F-06.08	Trim tab	1	1	3V9-60218-0
5	MR01044135BAG			Hexagon headed bolt and flat plate M8*35	4	5	
6	MR0104406BAG			Flat gasket&Bolt	1	10	
7	MR01080139BAG		15F-06.01.04	Gasket	3	10	
8	MR01020128BAG		15F-06.01.03	plug, straight screw	3	2	
9	MR01050305		F4-01.06.02	Deep groove ball bearing 6205C3	1	1	9601-0-6205
10	MR01052127B		20F-06.00.00.27	Forward gear	1	1	350-64010-0
11	MR01022116		20F-06.00.03.06	Gear shift plunger	1	1	350-64223-1
12	MR01092114BAG		20F-06.00.03.04	Circlip	1	10	350-64219-0
13	MR01022117BAG		20F-06.00.03.07	Spring limit sleeve	1	2	350-64222-0
14	MR01020131BAG		15F-06.10.03	Pin	1	10	350-64218-0
15	MR01052133		20F-06.00.03.02	Claw type clutch	1	1	362-64215-0
16	MR01092115BAG		20F-06.00.03.05	Compression spring	1	2	332-64221-0
17	MR01052132		20F-06.00.03.01	Propeller shaft	1	1	362-64211-0
18	MR01082121BAG		20F-06.00.00.22	Reverse gear washer	1	5	350-64032-0
19	MR01052125B		20F-06.00.00.15	Reverse gear	1	1	362-64030-0
20	MR01050305		F4-01.06.02	Deep groove ball bearing 6205C3	1	1	9601-0-6205
21	MR01052128		20F-06.00.00.17	Needle bearing	1	1	362-60211-0
22	MR01062123BAG		20F-06.00.00.13	Lower casing Cap O-ring	1	2	121-32071-0
23	MR090801012127	MR07210012	20F-06.00.00.14	Lower casing Cap	1	1	362S60101-0
24	MR0104407BAG			Hexagonal bolt & flat gasket assy M6*25	2	10	
25	MR01052129		20F-06.00.00.18	Lower casing Cap Oil sealing	1	1	346-65013-0
26	MR01022115		20F-06.00.00.02	Propeller pad	1	1	362-64231-0
27	MR01062124		20F-06.00.02.00	Propeller shaft teeth assy.	1	1	362-64103-0
28	MR010121290BAG		20F-06.00.01.01	Propeller	1		
29	MR01012130BAG		20F-06.00.01.02	Propeller horn	1		
	MR030316	MR08150005	20F-06.00.01.00	Propeller Assy.	1	1	362-64103-0
30	MR01022119BAG		20F-06.00.00.34	washer (Φ12)	1	5	
31	MR01022114		20F-06.00.00.01	Slotted hex nuts	1	1	346-64121-5
32	MR0104223BAG		GB/T91	Cotter pin 2.5*25	1	10	
33	MR0104102BAG			Cross recessed pan head tapping screws(M4*30)	1	10	
34	MR01072131BAG		20F-06.00.00.23	Inlet cap (up)	2	2	362-60206-0
35	MR0104144BAG			Bolt	1	10	
36	MR01052126B		20F-06.00.00.19	Pinion gear	1	1	350-64020-0
37	MR01052131		20F-06.00.00.32	Needle bearing	1	1	
38	MR01092116		20F-06.00.04.00-S	Gear shift cam lever (S)	1	1	

	MR010921160		20F-06.00.04.00-L	Gear shift cam lever (L)	1	1	
39	MR01041940BAG			Elastic cylindrical pin 3*12	1	10	
40	MR01060135BAG		15F-06.03.03	Shift lever o-ring	1	2	
41	MR01062122BAG		20F-06.00.00.09	Water pump seat O ring	1	2	
42	MR01012131		20F-06.00.04.03	Shift Cam lever seat	1	1	
43	MR01082120BAG		20F-06.00.00.21	Shift Cam lever seat Plate	1	2	
44	MR0104153BAG		GB/T93	Spring washer	1	10	
45	MR0104003BAG			Bolt	1	10	
46	MR01052130		20F-06.00.00.30-S	Drive shaft Assy(S)(with bearing and nut)	1	1	350-64301-0
	MR010521300		20F-06.00.00.30-L	Drive shaft Assy(L)(with bearing and nut)	1	1	
47	MR01102104BAG		20F-06.00.00.06	Woodruff key,Crankshaft	1	2	350-65022-0
48	MR01082119BAG		20F-06.00.00.12	Shim(0.3)	1	2	346-64082-0
49	MR01062122BAG		20F-06.00.00.09	Water pump seat O ring	1	2	
50	MR01052124		20F-06.00.00.11	Water pump oil seal	1	1	332-60223-0
51	MR090801012126	MR01012126	20F-06.00.00.10	Water pump seat	1	1	350-65017-0
52	MR01052123BAG		20F-06.00.00.08	Water pump seat seal gasket	1	10	
53	MR01082118		20F-06.00.00.07	water pump gasket	1	1	350-65025-0
54	MR01062125		20F-06.00.05.00	Impeller assy.	1	1	334-65021-0
55	MR01082117		20F-06.00.00.05	Water pump inner shell	1	1	350-65011-1
56	MR01072130		20F-06.00.00.04	Water pump housing	1	1	350-65016-1
57	MR01062121BAG		20F-06.00.00.03	Water hose seal(down)	1	5	350-65014-0
58	MR01044101BAG			Hexagon headed bolt and flat plate M6*50	3	10	
	MR030528	MR08140014	20F(S)	Lower Casing Assy.	1	1	
	MR030529	MR08140013	20F(L)	Lower Casing Assy.	1	1	

9. Аксессуары

NO.	КОД MR	КОД №2	КОД OEM	НАИМЕНОВАНИЕ	ШТ	УПАКОВКА	TOHATSU
1	01020128		15F-06.01.03	thread plug, straight screw	1	2	90340-08002
2	0104223		GB91 2.5*25	cotter pin	1	10	
3	01062125		20F-06.00.05.00	impeller Assy.	1	1	334-65021-0
4	01070166		15F-08.00.00	fuel case Assy.	1	1	
5	01070168		15F-09.01	emergency starting handle	1	2	
6	01080139		15F-06.01.04	thread plug seal gasket	2	10	90430-08020
7	01100103		15F-01.01.22	starter rope	1	1	
8	01100119		15F-08.01.06.00	Fuel Hose With Connector	1	1	
9	01100134		15F-09.00	toolkit	1	1	